

HIGH EAVE (PARAPET)

EI8000-HIGH EAVE

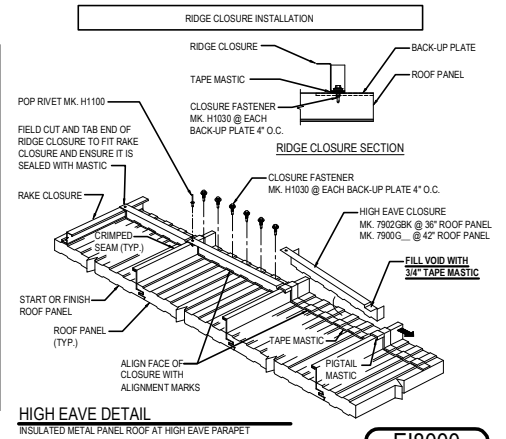
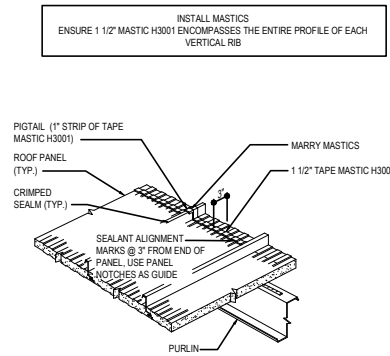
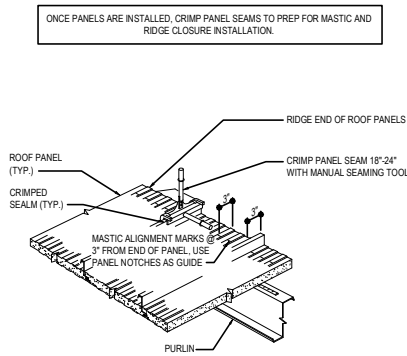
EI8100-WALL PANEL ABOVE

EI8200-WALL PANEL ABOVE AND BELOW

EI8300-MASONRY WALL

EI8000 - HIGH EAVE

[Download the DWG file by clicking here.](#)



Detailer Notes:

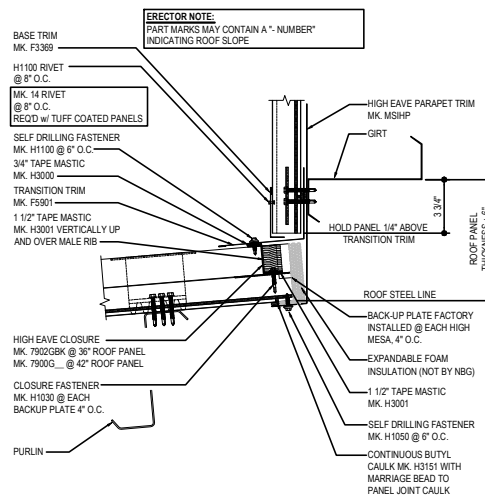
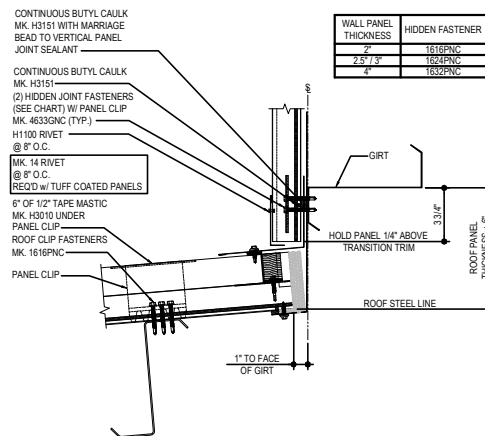
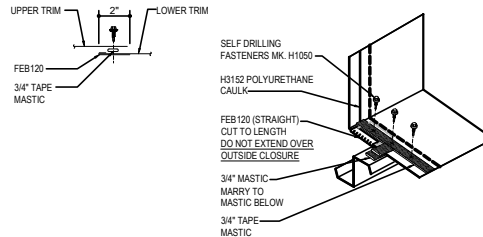
- 1) N/A

EI8100 - WALL PANEL ABOVE

[Download the DWG file by clicking here.](#)

HIGH EAVE LAP & FLASHING BACKER

SLIDE FIELD CUT SECTION FLASHING ENLAP BACKER ONTO THE LOWER TRIM PIECE. PLACE TAPE MASTIC NEXT TO HEM OF THE BACKER (NOT ON TOP OF HEM). APPLY CONTINUOUS BEAD OF CAULK 1" FROM END OF TRIM DOWN PROFILE OF TRIM. FASTEN LAP WITH STITCH FASTENERS AND POP RIVETS AS SHOWN.



HIGH EAVE PARAPET DETAIL

WITH WALL PANEL ABOVE

EI8100

Detailer Notes:

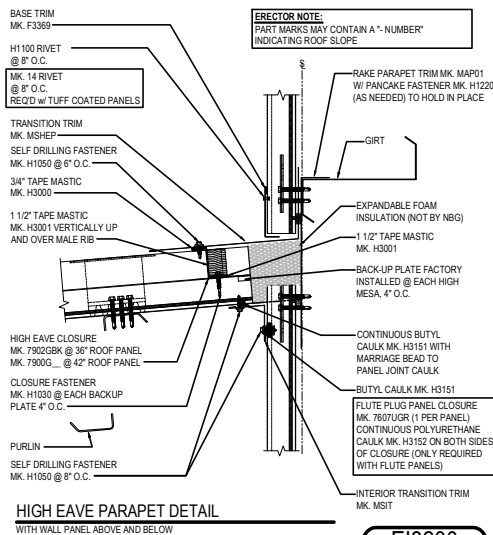
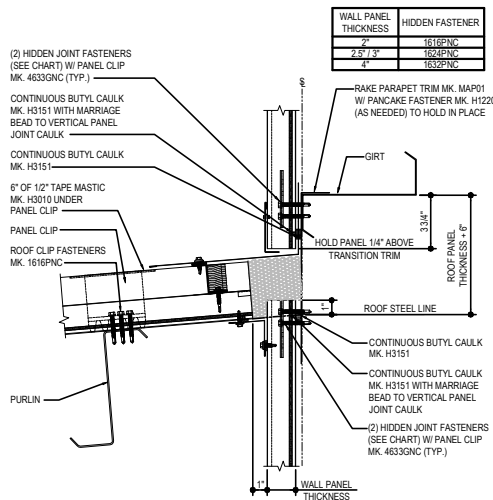
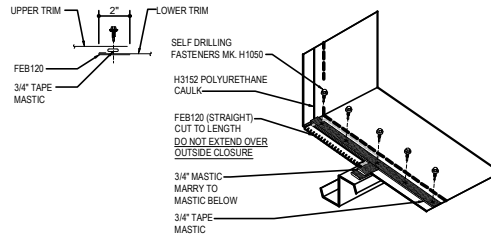
- 1) N/A

EI8200 - WALL PANEL ABOVE & BELOW

[Download the DWG file by clicking here.](#)

HIGH EAVE LAP & FLASHING BACKER

SLIDE FIELD CUT SECTION FLASHING ENLAP BACKER ONTO THE LOWER TRIM PIECE. PLACE TAPE MASTIC NEXT TO HEM OF THE BACKER (NOT ON TOP OF HEM). APPLY CONTINUOUS BEAD OF CAULK 1" FROM END OF TRIM DOWN PROFILE OF TRIM. FASTEN LAP WITH STITCH FASTENERS AND POP RIVETS AS SHOWN.



HIGH EAVE PARAPET DETAIL

WITH WALL PANEL ABOVE AND BELOW

EI8200

Detailer Notes:

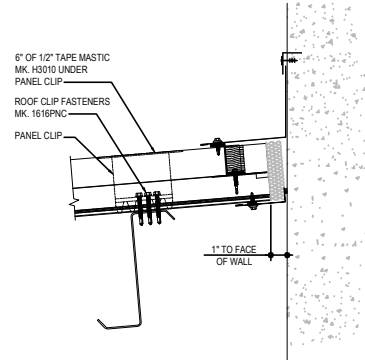
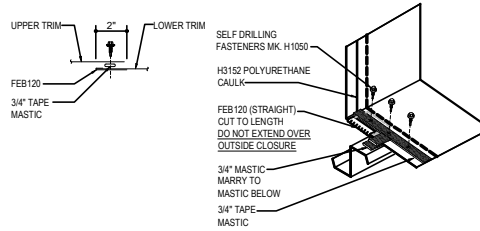
- 1) N/A

EI8300 - MASONRY WALL

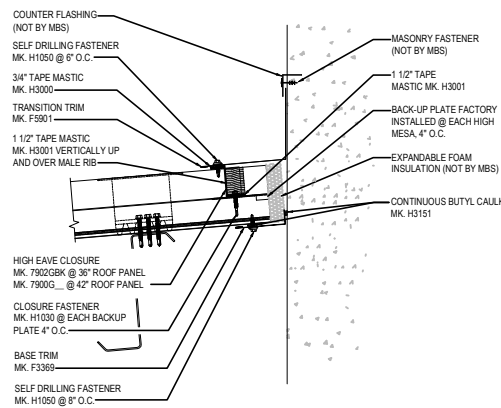
[Download the DWG file by clicking here.](#)

HIGH EAVE LAP & FLASHING BACKER

SLIDE FIELD CUT SECTION FLASHING ENLAP BACKER ONTO THE LOWER TRIM PIECE. PLACE TAPE MASTIC NEXT TO HEM OF THE BACKER (NOT ON TOP OF HEM). APPLY CONTINUOUS BEAD OF CAULK 1" FROM END OF TRIM DOWN PROFILE OF TRIM. FASTEN LAP WITH STITCH FASTENERS AND POP RIVETS AS SHOWN.



ERECTOR NOTE:
PART MARKS MAY CONTAIN A "-" NUMBER*
INDICATING ROOF SLOPE.



HIGH EAVE PARAPET DETAIL
AT MASONRY WALL

EI8300

Detailer Notes:

- 1) N/A